

ROTADAIRON®

RDH 60

STONE BURIER FOR HYDRAULIC LOADERS

SOIL PREPARATION

SEEDING

OVERSEEDING

DETHATCHING
SPIKING

MULCHING



MADE IN FRANCE

STONE BURIER FOR HYDRAULIC LOADERS

RDH 60

Functions of the stone burier RDH 60

This soil preparer and stone burier is intended for hydraulic loaders. There are two versions of the machine hitch:

- Bobcat type hitch plate : RDH 60
- Adaptable to your carrier by your own : supplied without hitch plate, without hoses, without couplers : RDH 60 ADAPT

It allows the building or renovation of green spaces by preparing the seed bed before seeding. The machine is multi-purpose, it allows tilling, burying (stones, rubbish, herbs, etc.), levelling, mixing and rolling the surface. The use is made in direct or on a ground previously decompacted in depth and cleared of large stones.

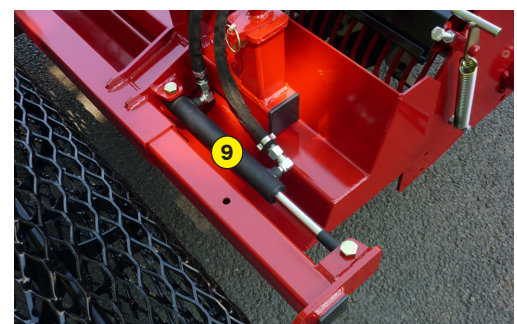
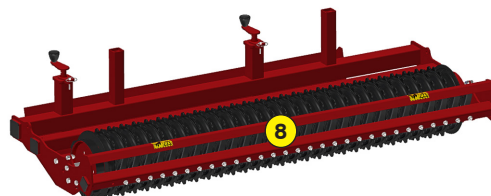
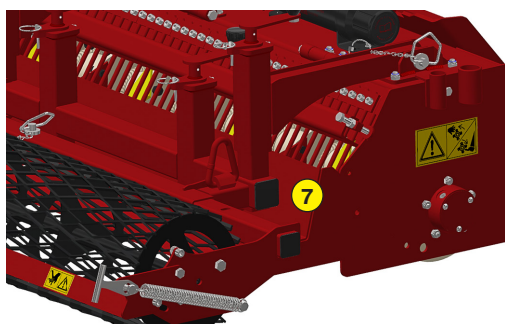
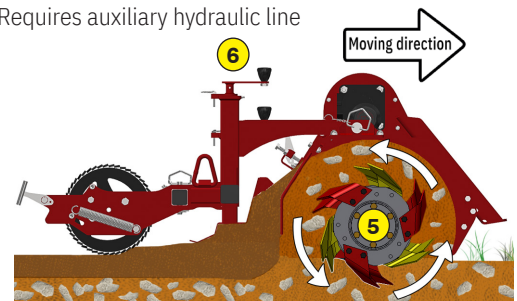
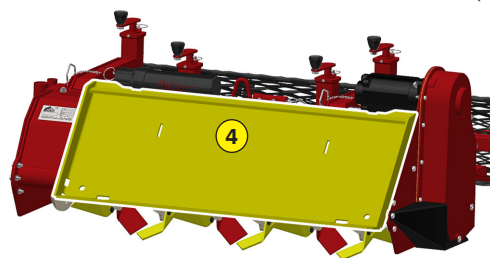
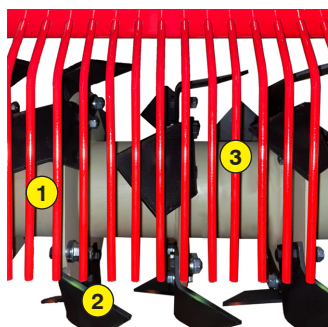
Quality of service

A large stock of spare parts is permanently maintained at our factory. Our partners have online tools and quick access to manufacturer information. Maintain the quality and performance of your Rotadairon® by using only original parts.

- 1 Oversized rotor
- 2 Anti-pad blades (Rotadairon® patent)
- 3 Selection grid fingers
- 4 Conventional quick hook system
- 5 Soil preparation principle
- 6 Working depth adjustment
- 7 Grader blade
- 8 Option : Cast iron roller disc chassis
- 9 Option : Rear mesh roller side adjustment device by cylinder

Machine	RDH 60	
Model	RDH 60	RDH 60 ADAPT
Hitch plate	Bobcat	Without hitch plate, without hoses, without coupler
	For specific request, please contact us	
Working width	1500 mm (59")	
Total width	1830 mm (72")	
Weight	500 Kg (1102.3 lb)	465 Kg (1025.1 lb)
Carrier : Hydraulic flow	70 to 120 l/min (18,5 to 31,7 US gpm)	
Carrier : Pressure	210 to 300 bars (3045 to 4350 psi)	
Carrier : Maximum track width	1,8 meters (70" 4/5)	-
Working depth (max)	140 mm (5" 1/2)	
Rotor outer diameter	400 mm (15" 3/4)	
Depth adjustment	Support on rear roller adjustable by screw jacks	
Number of blades	32	
Grid finger spacing	20 mm (4/5")	
Forward speed of the carrier	0,8 to 1,5 Km/h (0.5 to 0.9 mph)	
Transmission	Hydraulic motor + chain in oil bath	
Security	Made by the carrier	
Transport dimension w x L x H	1905 mm x 1570 mm x 700 mm (75" x 61" 3/4 x 27" 1/2)	
Options	- Cast-iron notched discs roller frame - Rear mesh roller side adjustment device by cylinder (*) - Gravity Grass Seeder : SG 145	

(*) Requires auxiliary hydraulic line



ROTADAIRON
Départementale 92 - Les Hunaudières
72230 Mulsanne - France
Mail : contacts@rotadairon.fr
Phone number : (33) 2 43 422 422



www.rotadairon.fr