

ROTADAIRON®

ROOGE 150.60

DISC OVERSEEDING MACHINE

SOIL PREPARATION

SEEDING

OVERSEEDING

DETHATCHING
SPIKING

MULCHING



MADE IN FRANCE

DISC OVERSEEDING MACHINE

ROOG 150.60

Functions of the overseeder ROOG 150.60

This overseeding machine allows you to perform your over-seeding operations optimally. Each disc/injector unit produces a clean cut and a precise deposit of seeds. This unique design allows us to offer you a compact machine with a limited weight allowing the selection of a tractor with less lifting capacity. The cutting of the groove is carried out by sharp discs, arranged on independent blocks that follow the profile of the ground. The injectors place the seeds precisely in the furrows.

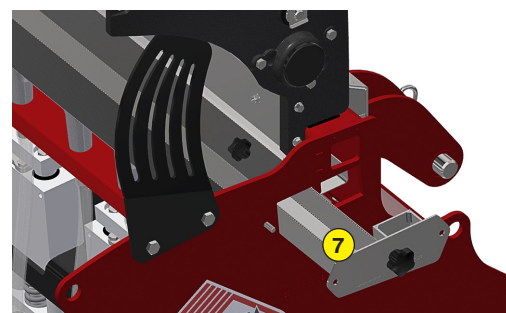
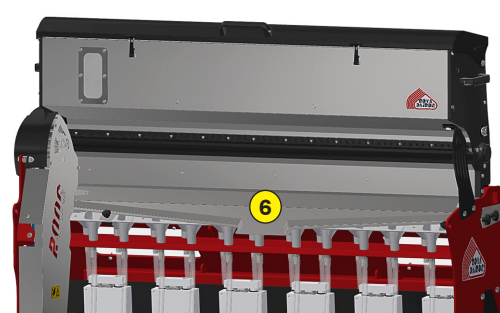
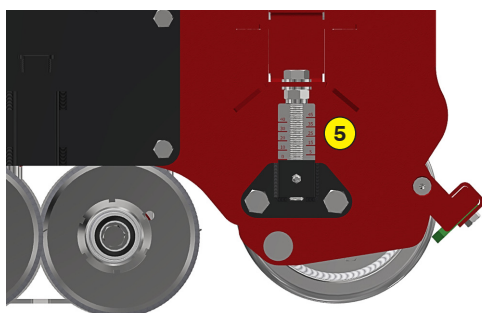
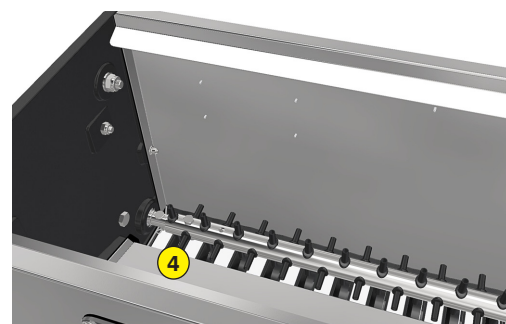
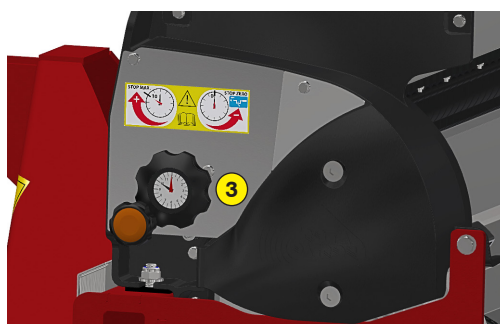
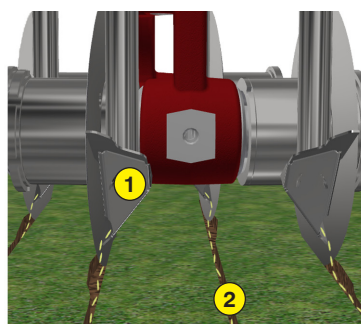
The precision seeding, of the classic English ray-grass mixtures, red fescue... is obtained by the volumetric adjustment of the spline dispenser via the dial clock. The rear roller then closes the grooves.

Quality of service

A large stock of spare parts is permanently maintained at our factory. Our partners have online tools and quick access to manufacturer information. Maintain the quality and performance of your Rotadairon® by using only original parts.

- 1 Precise seed deposition by the disc/injector unit
- 2 Clean cut by sharp discs
- 3 Precise dosing of seed quantities with the spline seed drill
- 4 Stainless steel seed drill with spline dispenser
- 5 Precise adjustment of the rear roller
- 6 Tank drain funnel
- 7 Calibration device

Machine	ROOG 150.60
Working width	1500 mm (59")
Total width	1760 mm (69" 1/4)
Weight	665 Kg (1466 lb)
Tractor : Required power	From 30 CV (Check the lifting capacity of the tractor)
Seeding depth	0 to 20 mm (0" to 3/4")
Interval between sowing	60 mm (2" 1/4)
Number of discs	24
Depth adjustment	3rd point + roll
3 point hitch	Categories 1 & 2
Transport dimension w x L x H	1760 mm x 1010 mm x 1490 mm (69" 1/4 x 68" 3/4 x 39" 3/4)
Seeder	
Type of seed drill	Stainless steel seed drill by spline distributor
Seed rate adjustment	Adjustment clock 0 to 12 o'clock
Seed rate calibration	From 2 to 30 g/m ²
Seed drill capacity	139 liters (37 US gal)



ROTADAIRON
Départementale 92 - Les Hunaudières
72230 Mulsanne - France
Mail : contacts@rotadairon.fr
Phone number : (33) 2 43 422 422



www.rotadairon.fr