

# ROTADAIRON®

# STH 36

STONE BURIERS FOR SKID-STEER

SOIL PREPARATION

SEEDING

OVERSEEDING

DETHATCHING  
SPIKING

MULCHING



MADE IN FRANCE

# STONE BURIERS FOR SKID-STEER

## Functions of the stone burier STH 36

This soil and stone burier is designed for Skid-Steer (mini-loader). There are three versions of the machine hitch:

- Toro / Ditch Witch / Vermeer type hitch plate : STH 36
- Bobcat type hitch plate : STH 36 B
- Adaptable to your carrier by your own : supplied without hitch plate, without hoses, without couplers : STH 36 ADAPT

It allows the building or renovation of green spaces by preparing the seed bed before seeding. The machine is multi-purpose, it allows tilling, burying (stones, rubbish, herbs, etc.), levelling, mixing and rolling the surface. The use is done live or on a ground previously decompacted in depth and cleared of large stones.

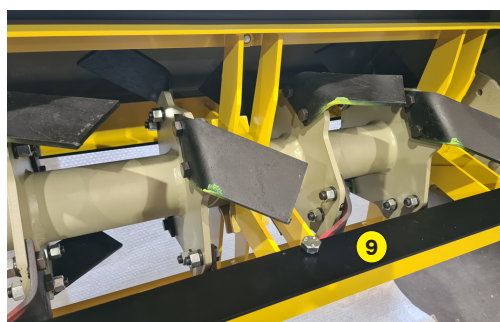
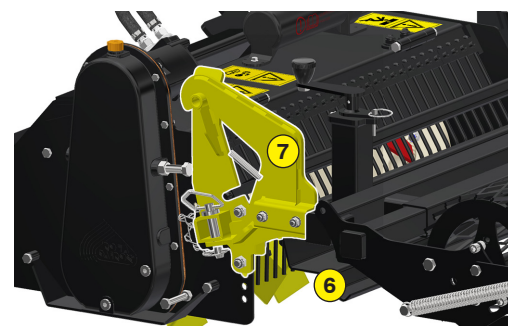
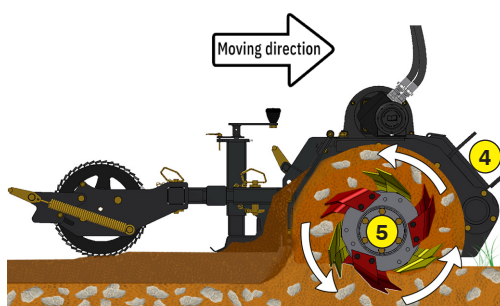
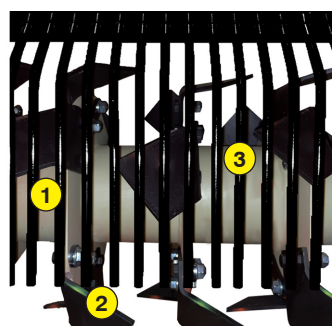
## Quality of service

A large stock of spare parts is permanently maintained at our factory. Our partners have online tools and quick access to manufacturer information. Maintain the quality and performance of your Rotadairon® by using only original parts.

- 1 Oversized rotor
- 2 Anti-pad blades (Rotadairon® patent)
- 3 Selection grid fingers
- 4 Conventional quick hook system
- 5 Soil preparation principle
- 6 Grader blade
- 7 Option : Fast coupling / uncoupling device
- 8 Option : Rear mesh roller side adjustment device by cylinder
- 9 Option : TurfRenov® Kit
- 10 Option : Kit control TurfRenov®

Machine	STH 36		
Model	STH 36	STH 36 B	STH 36 ADAPT
Hitch plate	Toro / Ditch Witch / Vermeer	Bobcat	Without hitch plate, without hoses, without coupler
	For specific request, please contact us		
Working width	963 mm (38")		
Total width	1330 mm (52" 1/4)		
Weight	265 Kg (584.2 lb)	280 Kg (650.3 lb)	255 Kg (562.2 lb)
Carrier : Hydraulic flow	30 to 45 l/min (7,9 to 11,8 US gpm)		
Carrier : Pressure	200 to 250 Bars (2900 to 3625 psi)		
Carrier : Maximum track width	1.15 meters (45" 1/4)	1 meter (39" 1/3)	-
Working depth (max)	140 mm (5" 1/2)		
Rotor outer diameter	400 mm (15" 3/4)		
Depth adjustment	Rear roller height adjustable 4 positions		
Number of blades	20		
Grid finger spacing	22 mm (7/8")		
Forward speed of the carrier	0,8 to 1,5 Km/h (0.5 to 0.9 mph)		
Transmission	Hydraulic motor + chain in oil bath		
Security	Made by the carrier		
Transport dimension w x L x H	1325 mm x 1545 mm x 620 mm (52" 1/4 x 60" 3/4 x 24" 1/2)		
Options	- Fast coupling / uncoupling device - Rear mesh roller side adjustment device by cylinder (*) - TurfRenov® Kit - Kit control TurfRenov® - Gravity grass seeder : SG 90		

(\*) : Requires auxiliary hydraulic line



ROTADAIRON  
 Départementale 92 - Les Hunaudières  
 72230 Mulsanne - France  
 Mail : contacts@rotadairon.fr  
 Phone number : (33) 2 43 422 422



www.rotadairon.fr