

ROTADAIRON®

SMC 1000

OPTION - SPLINE SEED DRILL

SOIL PREPARATION

SEEDING

OVERSEEDING

DETACHING
SPIKING

MULCHING



MADE IN FRANCE

OPTION - SPLINE SEED DRILL

SMC 100







Functions of the spline seed drill SMC 100

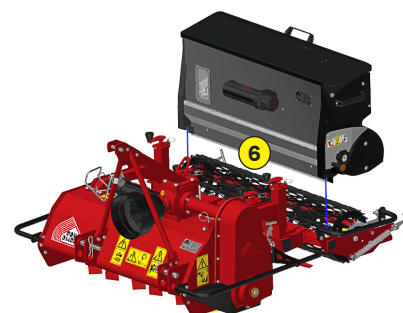
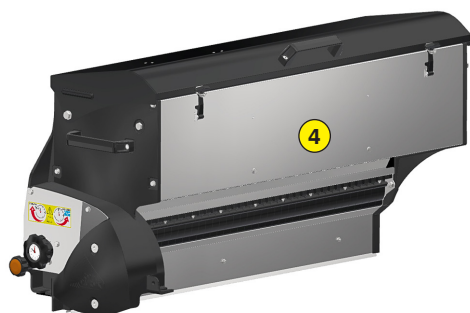
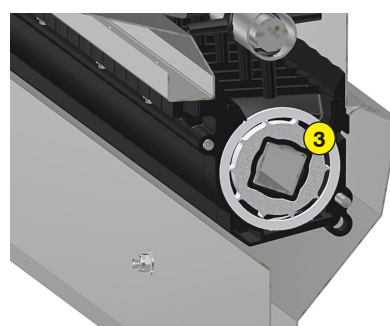
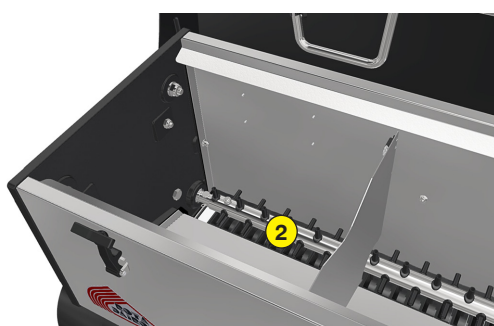
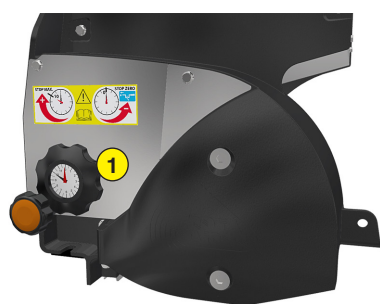
Stainless steel Seeder Rotadairon® SMC 100 is designed to be paired with the STONY 115 or RD 100 soil preparer. You can bury the stones, prepare and sow with precision in one pass, this set allows to spread most of varieties of grass.

Qualité de service

A large stock of spare parts is permanently maintained at our factory. Our partners have online tools and quick access to manufacturer information. Maintain the quality and performance of you Rotadairon® by using only original parts.

Machine	SMC 100
Mounting on machine type	STONY 115 / RD 100
Seeding width	1060 mm (41" 6/8)
Total width	1280 mm (50" 1/2)
Number of distributors	44
Seed rate ajustement	Adjustment clock 0 to 12 o'clock
Seed drill capacity	95 liters (25 US gal)
Weight	48 Kg (105 lb)
Transport dimension w x L x H	1280 mm x 490 mm x 630 mm (50" 1/2 x 19" 3/8 x 24" 7/8)

-  Micrometric adjustment clock
-  Mixer for decompacting seeds in the seedbox
-  Controlling seed consumption with fluted distributors (Rotadairon® patent)
-  Stainless steel seedbox
-  Seed level window
-  Quick fit on Rotadairon® soil preparer STONY 115 or RD 100



ROTADAIRON
Départementale 92 - Les Hunaudières
72230 Mulsanne - France
Email : contacts@rotadairon.fr
Tel : (33) 2 43 422 422



www.rotadairon.fr