

ROTADAIRON®

SMC 145

OPTION - SPLINE SEED DRILL

SOIL PREPARATION

SEEDING

OVERSEEDING

DETACHING
SPIKING

MULCHING



MADE IN FRANCE

OPTION - SPLINE SEED DRILL

SMC 145







Functions of the spline seed drill SMC 145

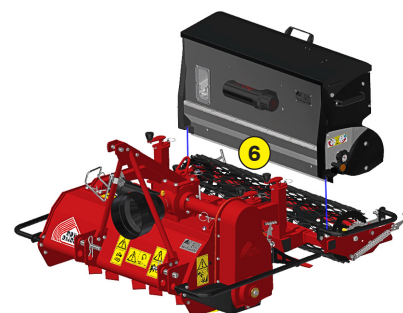
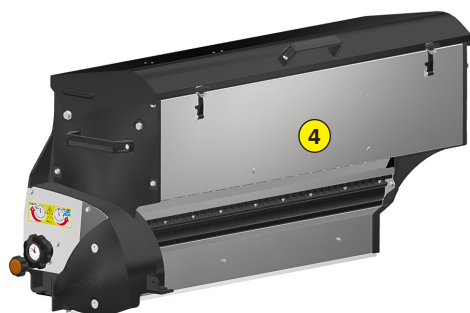
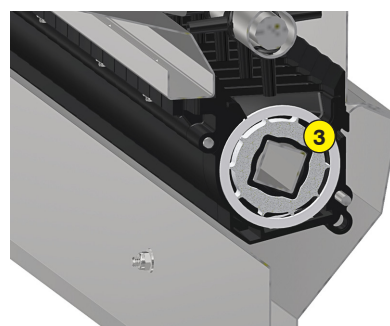
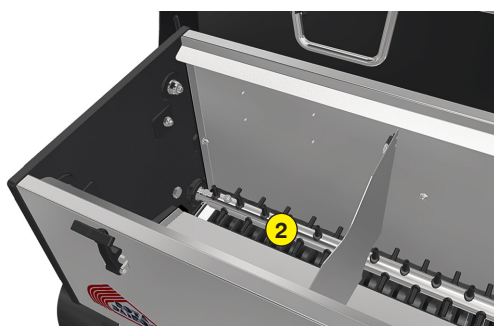
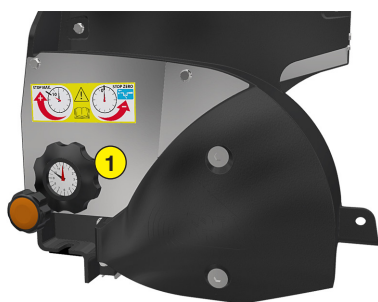
Stainless steel Seeder Rotadairon® SMC 145 is designed to be paired with the RD 145 soil preparer. You can bury the stones, prepare and sow with precision in one pass, this set allows to spread most of varieties of grass.

Qualité de service

A large stock of spare parts is permanently maintained at our factory. Our partners have online tools and quick access to manufacturer information. Maintain the quality and performance of you Rotadairon® by using only original parts.

Machine	SMC 145
Mounting on machine type	RD 145
Seeding width	1540 mm (60'' 5/8)
Total width	1760 mm (69'' 1/3)
Number of distributors	64
Seed rate ajustement	Adjustment clock 0 to 12 o'clock
Seed drill capacity	139 liters (37 US gal)
Weight	62 Kg (136,7 lb)
Transport dimension w x L x H	1760 mm x 490 mm x 630 mm (69'' 1/3 x 19'' 3/8 x 24'' 7/8)

-  Micrometric adjustment clock
-  Mixer for decompacting seeds in the seedbox
-  Controlling seed consumption with fluted distributors (Rotadairon® patent)
-  Stainless steel seedbox
-  Seed level window
-  Quick fit on Rotadairon® soil preparer RD 145



ROTADAIRON
Départementale 92 - Les Hunaudières
72230 Mulsanne - France
Email : contacts@rotadairon.fr
Tel : (33) 2 43 422 422



www.rotadairon.fr