

ROTADAIRON®

SMC 2000

OPTION - SPLINE SEED DRILL

SOIL PREPARATION

SEEDING

OVERSEEDING

DETACHING
SPIKING

MULCHING



MADE IN FRANCE

OPTION - SPLINE SEED DRILL

SMC 200







Functions of the spline seed drill SMC 200

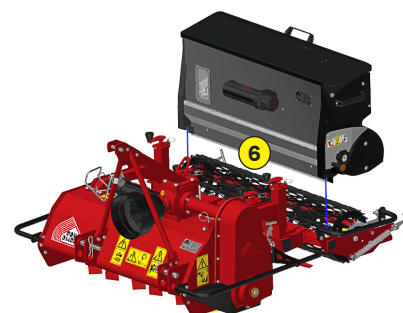
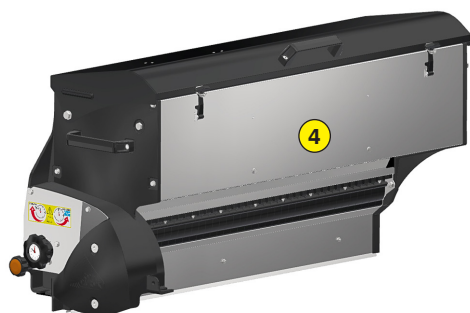
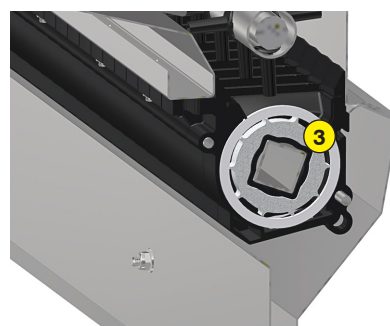
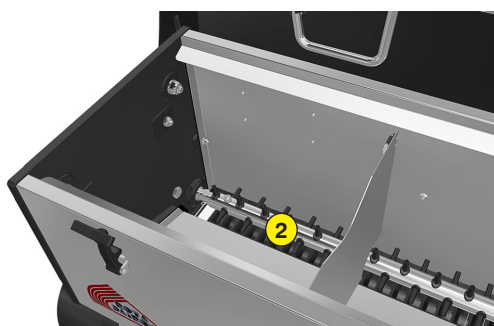
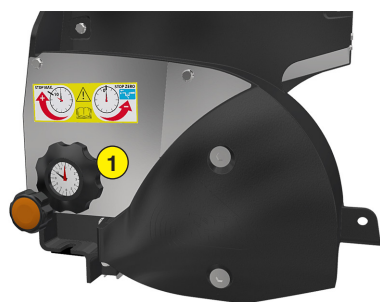
Stainless steel Seeder Rotadairon® SMC 200 is designed to be paired with the RDL 200 or RX 200 soil preparer. You can bury the stones, prepare and sow with precision in one pass, this set allows to spread most of varieties of grass.

Qualité de service

A large stock of spare parts is permanently maintained at our factory. Our partners have online tools and quick access to manufacturer information. Maintain the quality and performance of you Rotadairon® by using only original parts.

Machine	SMC 200
Mounting on machine type	RDL 200 / RX 200
Seeding width	1950 mm (76" 6/8)
Total width	2165 mm (85" 1/4)
Number of distributors	81
Seed rate adjustment	Adjustment clock 0 to 12 o'clock
Seed drill capacity	178 liters (47 US gal)
Weight	74 Kg (163 lb)
Transport dimension w x L x H	2165 mm x 490 mm x 630 mm (85" 1/4 x 19" 3/8 x 24" 7/8)

-  Micrometric adjustment clock
-  Mixer for decompacting seeds in the seedbox
-  Controlling seed consumption with fluted distributors (Rotadairon® patent)
-  Stainless steel seedbox
-  Seed level window
-  Quick fit on Rotadairon® soil preparer RDL 200 or RX 200



ROTADAIRON
Départementale 92 - Les Hunaudières
72230 Mulsanne - France
Email : contacts@rotadairon.fr
Tel : (33) 2 43 422 422



www.rotadairon.fr