

# ROTADAIRON®

# STM 75

STONE BURIER FOR TILLER

SOIL PREPARATION

SEEDING

OVERSEEDING

DETHATCHING  
SPIKING

MULCHING



MADE IN FRANCE



# STONE BURIER FOR TILLER

## STM 75

### Functions of the stone burier STM 75

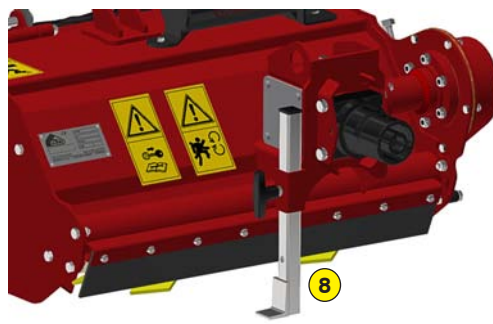
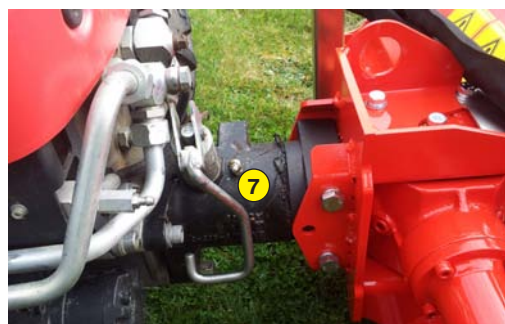
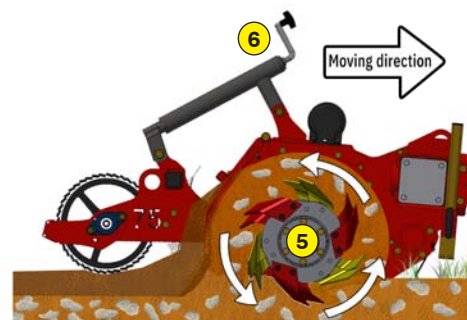
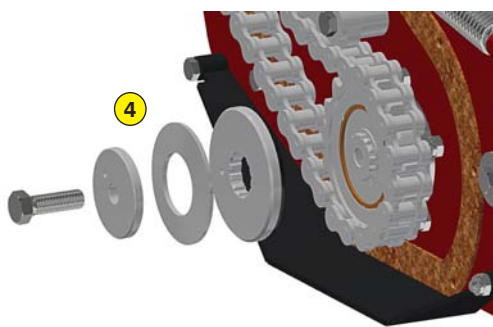
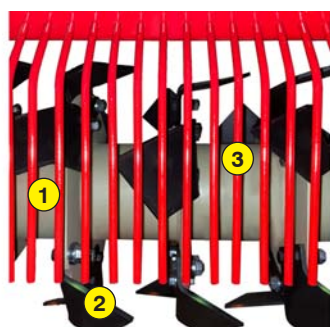
This soil preparer and stone burier is thought for cultivators. This machine has been designed to perform tilling to 140 mm, burying pebbles/litter/grass, levelling with adjustable levelling blade, rolling with metal mesh roller. The use is made in direct or on a ground previously decompacted in depth and cleared of large stones.

### Quality of service

A large stock of spare parts is permanently maintained at our factory. Our partners have online tools and quick access to manufacturer information. Maintain the quality and performance of your Rotadairon® by using only original parts.

- 1 Oversized rotor
- 2 Anti-pad blades (Rotadairon® patent)
- 3 Selection grid fingers
- 4 Oil bath torque limiter at rotor end
- 5 Soil preparation principle
- 6 Working depth adjustment
- 7 RAPID hitch example
- 8 Storage stand
- 9 Grader blade
- 10 Option : Working depth setting by hydraulic jack

| Machine                          | STM 75  |                                   |
|----------------------------------|---|-----------------------------------|
| Coupling head                    | RAPID/REFORM, NIBBI, AGRIA*, AEBI<br>(Other brands, contact us)<br>* AGRIA adaptor not supplied |                                   |
| Working width                    | 750 mm (29" 1/2)  |                                   |
| Total width                      | 960 mm (37" 3/4)  |                                   |
| Weight                           | STM 75 RAPID/REFORM<br>167 Kg (368 lb)  | STM 75 NIBBI<br>160 Kg (352.7 lb) |
|                                  | STM 75 AGRIA<br>159 Kg (350.5 lb)   | STM 75 AEBI<br>155 Kg (341.7 lb)  |
| Tiller : max track width         | 0.98 meter (38" 1/2)  |                                   |
| Working depth (max)              | 140 mm (5" 1/2)   |                                   |
| Rotor outer diameter             | 400 mm (15" 3/4)  |                                   |
| Depth adjustment                 | Screw jack system   |                                   |
| Number of blades                 | 16  |                                   |
| Grid finger spacing              | 22 mm (7/8")  |                                   |
| PTO speed                        | 920 tr/min (clockwise) for<br>RAPID/REFORME, NIBBI, AGRIA, AEBI                                 |                                   |
| Forward speed                    | 0.8 to 1,5 Km/h (0.5 to 0.9 mph)  |                                   |
| Transmission                     | Angle gearbox<br>+ oil bath chain   |                                   |
| Security                         | Oil bath torque limiter at the end<br>of the rotor  |                                   |
| Transport dimension<br>w x L x H | 960 mm x 1215 mm x 590 mm<br>(37" 3/4 x 47" 3/4 x 23" 1/4)                                      |                                   |
| Option                           | Working depth setting by hydraulic jack   |                                   |



ROTADAIRON  
Départementale 92 - Les Hunaudières  
72230 Mulsanne - France  
Mail : [contacts@rotadairon.fr](mailto:contacts@rotadairon.fr)  
Phone number : (33) 2 43 422 422



[www.rotadairon.fr](http://www.rotadairon.fr)