

ROTADAIRON

STONY 75

STONE BURIER FOR MICRO-TRACTOR

SOIL PREPARATION

SEEDING

OVERSEEDING

DETHATCHING
SPIKING

MULCHING



MADE IN FRANCE

STONE BURIER FOR MICRO-TRACTOR

STONY 75

Functions of the stone burier STONY 75

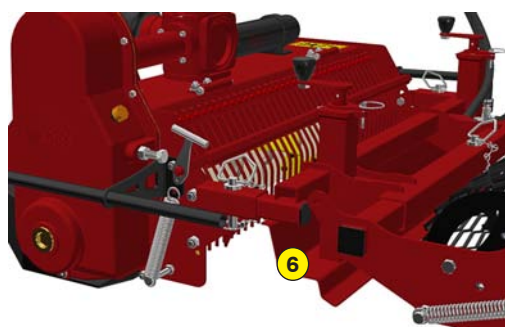
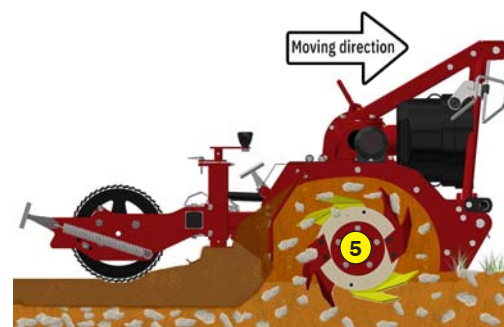
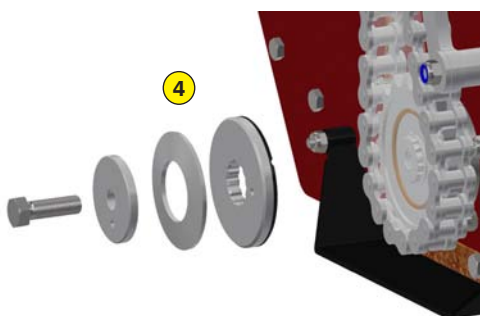
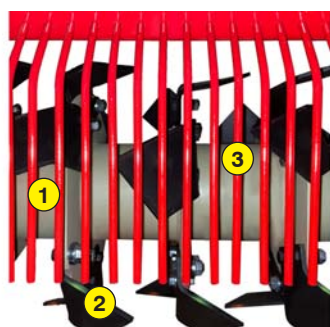
This soil preparer and stone burier is designed for micro-tractors. It allows the building or renovation of green spaces by preparing the seed bed before seeding. The machine is multi-purpose, it allows tilling, burying (stones, rubbish, herbs, etc.), levelling, mixing and rolling the surface. The use is done live or on a ground previously decompacted in depth and cleared of large stones.

Quality of service

A large stock of spare parts is permanently maintained at our factory. Our partners have online tools and quick access to manufacturer information. Maintain the quality and performance of your Rotadairon® by using only original parts.

Machine	STONY 75
Working width	750 mm (29" 1/2)
Total width	1210 mm (47" 3/4)
Weight	265 Kg (584.2 lb)
Tractor : Required power	15 - 18 CV
Tractor : Max track width	0.92 meter (36" 1/5)
Working depth (max)	140 mm (5" 1/2)
Rotor outer diameter	400 mm (15" 3/4)
Depth adjustment	Rear roller height adjustable 4 positions
Number of blades	16
Grid finger spacing	22 mm (7/8")
3 point hitch	Categories 1 & 2
PTO speed	540 tr/min
Tractor forward speed	0.8 to 1,5 Km/h (0.5 to 0.9 mph)
Transmission	Angle gearbox + oil bath chain
Security	Oil bath torque limiter at the end of the rotor
Transport dimension w x L x H	1210 mm x 1450 mm x 820 mm (47" 3/4 x 57" x 32" 1/4)

- 1 Oversized rotor
- 2 Anti-pad blades (ROTADAIRON® patent)
- 3 Selection grid fingers
- 4 Oil bath torque limiter at rotor end
- 5 Soil preparation principle
- 6 Grader blade



DAIRON SAS
Départementale 92 - Les Hunaudières
72230 Mulsanne - France
Mail : contacts@rotadairon.fr
Phone number : (33) 2 43 422 422



www.rotadairon.fr