

# ROTADAIRON®

# RD 250

STONE BURIER FOR TRACTOR

SOIL PREPARATION

SEEDING

OVERSEEDING

DETHATCHING  
SPIKING

MULCHING



MADE IN FRANCE

# STONE BURIER FOR TRACTOR

## RD 250

### Functions of the stone burier RD 250

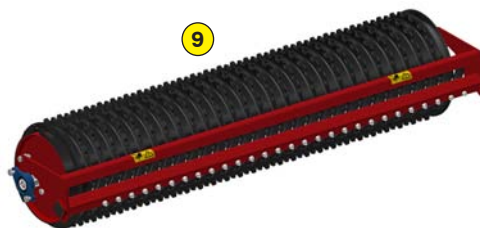
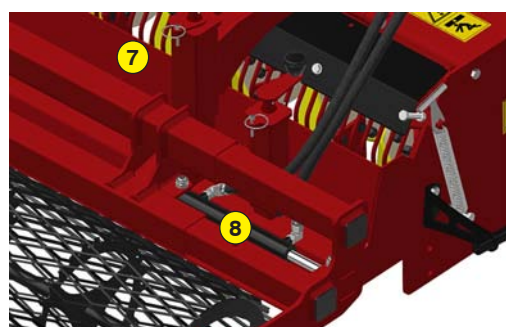
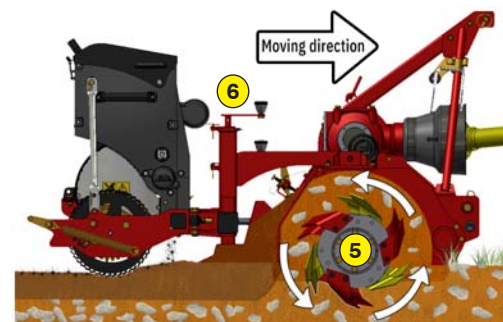
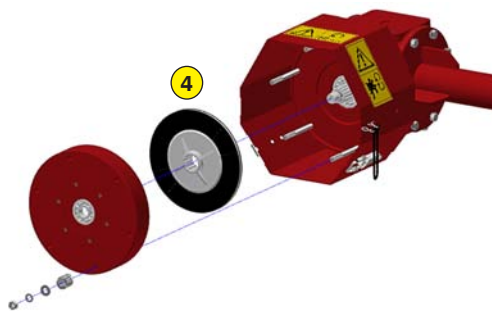
This soil preparer and stone burier is designed for tractors. It allows the building or renovation of green spaces by preparing the seed bed before seeding. The machine is multi-purpose, it allows tilling, burying (stones, rubbish, herbs, etc.), levelling, mixing and rolling the surface. The use is done live or on a ground previously decompacted in depth.

### Quality of service

A large stock of spare parts is permanently maintained at our factory. Our partners have online tools and quick access to manufacturer information. Maintain the quality and performance of your Rotadairon® by using only original parts.

- 1 Oversized rotor
- 2 Anti-pad blades (Rotadairon® patent)
- 3 Selection grid fingers
- 4 Torque limiter with dry friction and flywheel
- 5 Soil preparation principle
- 6 Working depth adjustment
- 7 Grader blade
- 8 Option : Rear mesh roller side adjustment device by cylinder
- 9 Option : Cast iron grooved disc roller + Scraper

| Machine                                   | RD 250   |
|---|--|
| Working width                             | 2492 mm (98")  |
| Total width                               | 2944 mm (116")   |
| Weight with mesh metal roller             | 1134 Kg (2500 lb)  |
| Tractor : Required power                  | 70 - 90 CV   |
| Tractor : Max track width                 | 2,35 meters (92" 1/2)  |
| Working depth (max)                       | 160 mm (6" 1/4)  |
| Rotor outer diameter                      | 510 mm (20")   |
| Depth adjustment                          | Support on rear roller adjustable by screw jacks   |
| Number of blades                          | 72   |
| Grid finger spacing                       | 20 mm (4/5")   |
| 3 point hitch                             | Categories 1 & 2   |
| PTO speed                                 | 540 tr/min   |
| Tractor forward speed                     | 0.8 to 1,5 Km/h (0.5 to 0.9 mph)   |
| Transmission                              | Angle gearbox + Oil bath chain   |
| Security                                  | Torque limiter with dry friction and flywheel  |
| Transport dimension w x L x H             | 2920 mm x 1890 mm x 1120 mm (115" x 74" 1/2 x 44")   |
| Weight with cast iron notched disc roller | 1421 Kg (3132.7 lb)  |
| <b>Options</b>                            | - Rear mesh roller side adjustment device by cylinder<br>- Cast iron grooved disc roller + Scraper |



ROTADAIRON  
Départementale 92 - Les Hunaudières  
72230 Mulsanne - France  
Mail : [contacts@rotadairon.fr](mailto:contacts@rotadairon.fr)  
Phone number : (33) 2 43 422 422



[www.rotadairon.fr](http://www.rotadairon.fr)