

ROTADAIRON®

RX 250

STONE BURIER FOR TRACTOR

SOIL PREPARATION

SEEDING

OVERSEEDING

DETHATCHING
SPIKING

MULCHING



MADE IN FRANCE

STONE BURIER FOR TRACTOR

RX 250

Functions of the stone burier RX 250

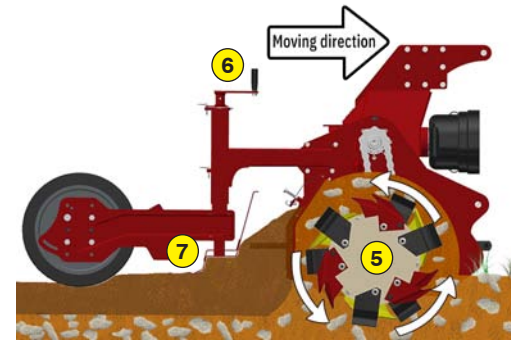
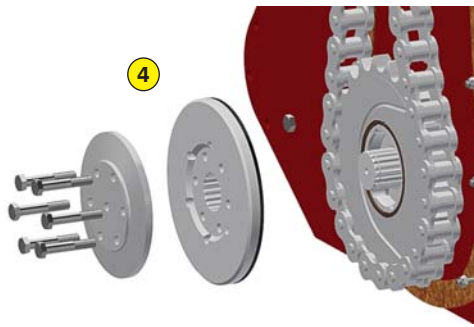
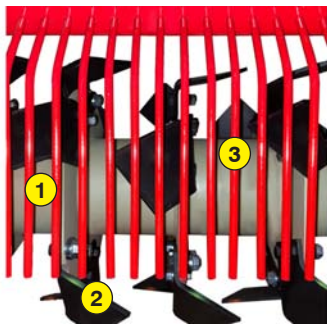
This soil preparer and stone burier allows the building or renovation of green spaces by preparing the seed bed before seeding. The machine is multi-purpose, it allows tilling, burying (stones, rubbish, herbs, etc.), levelling, mixing and rolling the surface. The use is done live or on a ground previously decompacted in depth.

Quality of service

A large stock of spare parts is permanently maintained at our factory. Our partners have online tools and quick access to manufacturer information. Maintain the quality and performance of your Rotadairon® by using only original parts.

- 1 Oversized rotor
- 2 Anti-pad blades (Rotadairon® patent)
- 3 Selection grid fingers
- 4 Torque limiter in oil bath at each end of the rotor
- 5 Soil preparation principle
- 6 Working depth adjustment
- 7 Grader blade
- 8 Option : Tire roller
- 9 Option : Cast iron grooved disc roller + Scraper
- 10 Option : Pneumatic seeder (SMA 250)
- 11 Option : Anti-groove system (ARS)

Machine	RX 250
Working width	2500 mm (98" 1/2)
Total width	3370 mm (132" 1/2)
Weight with mesh metal roller	1934 Kg (4263.7 lb)
Tractor : Required power	110 - 150 CV
Tractor : Max track width	2.45 meters (96" 1/2)
Working depth (max)	220 mm (8" 1/2)
Rotor outer diameter	630 mm (24" 3/4)
Depth adjustment	Support on rear roller adjustable by screw jacks
Number of blades	72
Grid finger spacing	20 mm (4/5")
3 point hitch	Categories 2 & 3
PTO speed	1000 tr/min
Tractor forward speed	0.8 to 1,5 Km/h (0.5 to 0.9 mph)
Transmission	Angle gearbox + Oil bath chains
Machine drive type	Dual drive
Security	Torque limiter in oil bath at each end of the rotor
Transport dimension w x L x H	3370 mm x 2360 mm x 1290 mm (132" 1/2 x 93" x 50" 3/4)
Weight with cast iron notched disc roller	2280 Kg (5036.5 lb)
Weight with tire roller	2138 Kg (4713.4 lb)
Options	- Tire roller - Cast iron grooved disc roller + Scraper - Pneumatic seeder : SMA 250 - Anti-groove system (ARS)



ROTADAIRON
Départementale 92 - Les Hunaudières
72230 Mulsanne - France
Mail : contacts@rotadairon.fr
Phone number : (33) 2 43 422 422



www.rotadairon.fr