

ROTADAIRON®

DCE 250

ROTARY TILLER FOR TRACTORS

SOIL PREPARATION

SEEDING

OVERSEEDING

DETHATCHING
SPIKING

MULCHING

SPECIAL APPLICATIONS



MADE IN FRANCE

ROTARY TILLER FOR TRACTORS

DCE 250

Fonctions of the rotary tiller DCE 250

The Rotadairon® DCE 250 is designed for professional farmers. Its oversized rotor with double drive is designed to fight against the effect of battance, formed under the action of intense rain and trampling.

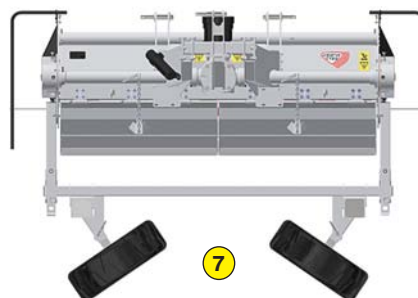
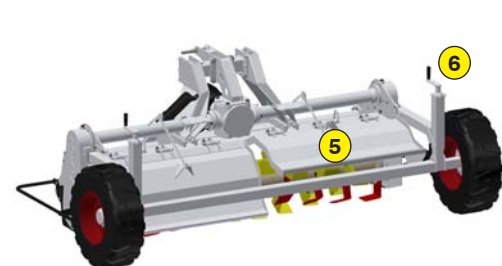
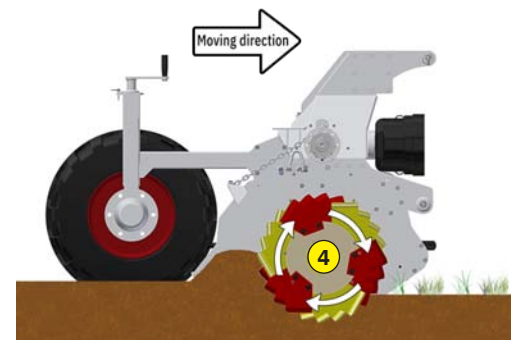
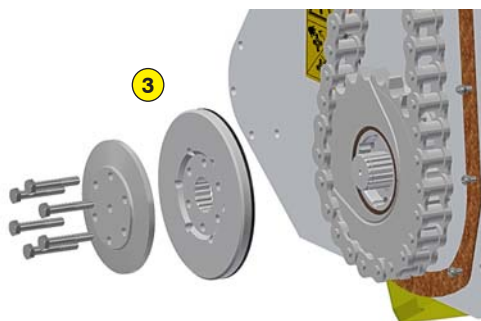
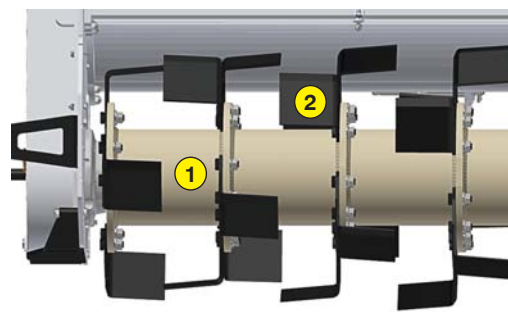
Equipped with oversized tiller with double drive, the DCE 250 is specially designed for applications in difficult soils.

Quality of service

A large stock of spare parts is permanently maintained at our factory. Our partners have online tools and quick access to manufacturer information. Maintain the quality and performance of your Rotadairon® by using only original parts.

Machine	DCE 250
Working width	2500 mm (98" 1/2)
Total width	3365 mm (132" 1/2)
Weight	1370 Kg (3020.3 lb)
Tractor : Required power	90 - 110 CV
Tractor : Max track width	2.5 meters (98" 1/2)
Working depth (max)	200 mm (7" 3/4)
Rotor outer diameter	600 mm (23" 1/2)
Depth adjustment	Support on Rear tires adjustable by screw jacks
Number of blades	54
3 point hitch	Categories 2 - 3
PTO speed	1000 tr/min
Tractor forward speed	0,8 to 1,5 Km/h (0,5 to 0,9 mph)
Transmission	Angle gearbox + Oil bath chains
Machine drive type	Dual drive
Security	Torque limiter in oil bath at each end of the rotor
Transport dimension w x L x H	3365 mm x 1825 mm x 1275 mm (132" 1/2 x 71" 3/4 x 50" 1/4)
Option	Retractable wheels for road transport

- 1 Oversized rotor
- 2 Blades
- 3 Torque limiter in oil bath at each end of the rotor
- 4 Tiller : principle of operation
- 5 Rear doors adjustable
- 6 Working depth adjustment
- 7 Option : Retractable wheels for road transport



ROTADAIRON
Départementale 92 - Les Hunaudières
72230 Mulsanne - France
Mail : contacts@rotadairon.fr
Phone number : (33) 2 43 422 422



www.rotadairon.fr